



Magnet Wire Packaging Data



Table of Contents

Packaging Reference Guide	03
6" x 3 ½" Spool	04
8 ½" x 9 ¼" Reel.....	04
TF™ 80 Magna-Pail®	05
TF™ 80 Reel.....	05
12" x 7" Reel.....	06
25RP Reel.....	06
TF™ 600 Reel.....	07
TF™ 1000 Reel.....	07
24" x 6" Reel	08
24" x 11" Reel	08
30" x 11" Reel.....	09
30" x 9" Reel (Wood/Metal).....	09
Flexible Packaging Solutions	10-11

Packaging Reference Guide



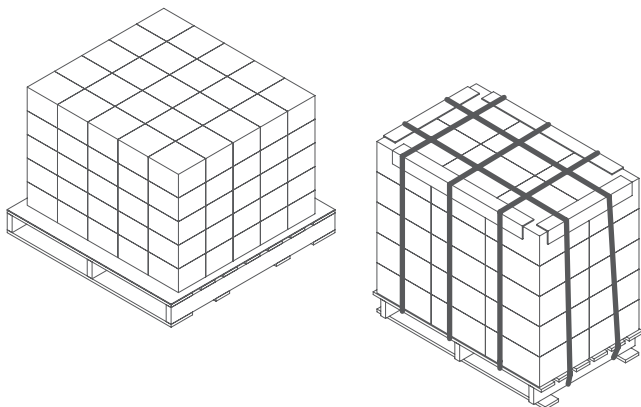
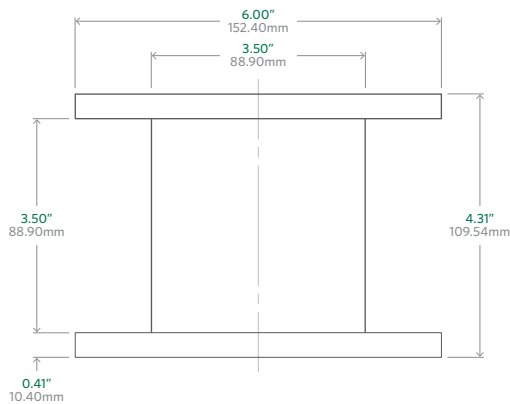
PACKAGE	Package Code	Reel Tare Weight (lbs)	Copper Weight (lbs)	Aluminum Weight (lbs)	No. Pkgs. or Cases	No. Pkgs Pallet	Approx. Net (lbs) Weight/Pallet (CU)	Approx. Net (lbs) Weight/Pallet (AL)	Arbor Hole Size (inches)	Pallet Dimensions (inches)		
										Length	Width	Height
6" x 3 1/2" Spool	01	0.7	8.5	N/A	1	125	1063	N/A	0.50	42	42	30
	06	0.7	8.5	N/A	6	12	612	N/A	0.50	26.5	44	35
8 1/2" x 9 1/4" Reel	08	1.8	40	11	1	16	640	176	1.53	23	42	25
8 1/2" x 9 1/4" Bucket	48	1.8	40	11	1	42	1680	176	1.53	43	45	36
TF™ 80 Magna-Pail®	13	2.8	75	25	1	12	900	300	1.53	26.5	42	32
TF™ 80 Reel	81	2.8	75	25	1	12	900	300	1.53	26	42	32
12" x 7" Reel	12	3.0	75	23	1	18	1350	414	1.53	26.5	42	32
25RP Reel	25	9.4	260	80	1	5	1300	400	1.53	42	42	20
TF™ 600 Reel	60	18.6	600	180	1	4	2400	720	1.53	42	42	30
TF™ 1000 Reel	52	22.5	900	280	1	4	3600	1120	1.53	42	42	35.5
24" x 6" Reel	24	21.1	260	85	1	4	1040	340	1.53	25	39	30
						8	2080	680	1.53	50	39	30
24" x 11" Reel	23	23.0	450	150	1	4	1800	600	5.20	43.5	49.25	30
30" x 11" Reel	30	61.0	1100	350	1	2	2200	700	5.00	39	24	36
30" x 9" Reel (Wood/Metal)	73	75.0	1200	280	1	3	3600	840	2.27	32	40	35

6" x 3 1/2" SPOOL



For intermediate sizes of round copper or aluminum magnet wire.

Package Code:	01	06
Typical Wire Weight:	8.5 lbs. CU	8.5 lbs. CU
Cartons per Pallet:	125	12
Pallet Dimensions:	42" x 42" x 30"	26.5" x 44" x 35"
Arbor Hole Size:	0.50"	0.50"

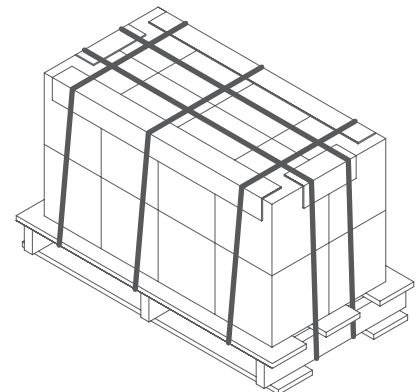
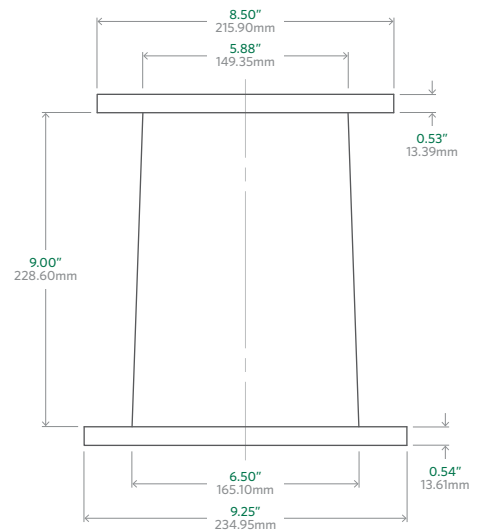


8 1/2" x 9 1/4" REEL



For intermediate sizes of round copper or aluminum magnet wire.

Package Code:	08
Typical Wire Weight:	40 lbs. CU / 11 lbs. AL
Cartons per Pallet:	16
Pallet Dimensions:	23" x 42" x 25"
Arbor Hole Size:	1.53"

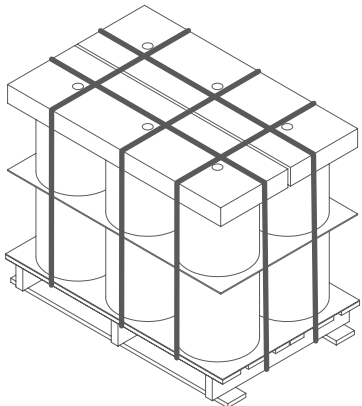
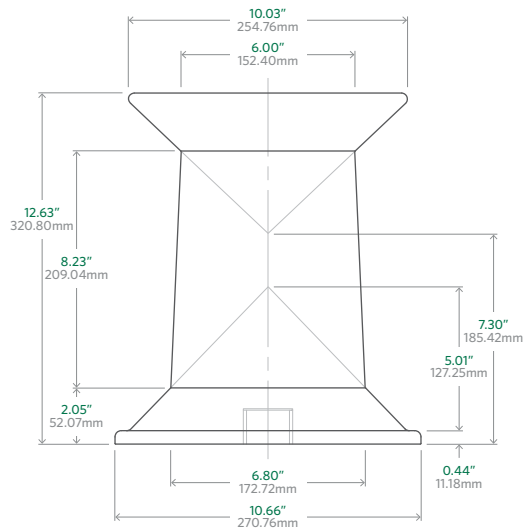


TF™ 80 MAGNA-PAIL®



For heavy, intermediate sizes of round copper or aluminum magnet wire.

Package Code:	13
Typical Wire Weight:	75 lbs. CU / 25 lbs. AL
Cartons per Pallet:	12
Pallet Dimensions:	26.5" x 42" x 32"
Arbor Hole Size:	1.53"

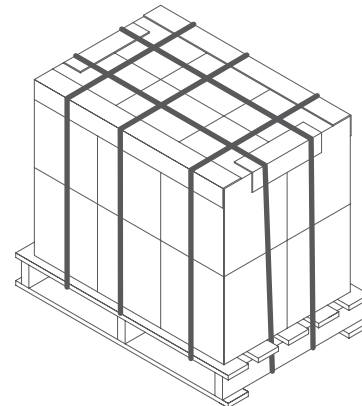
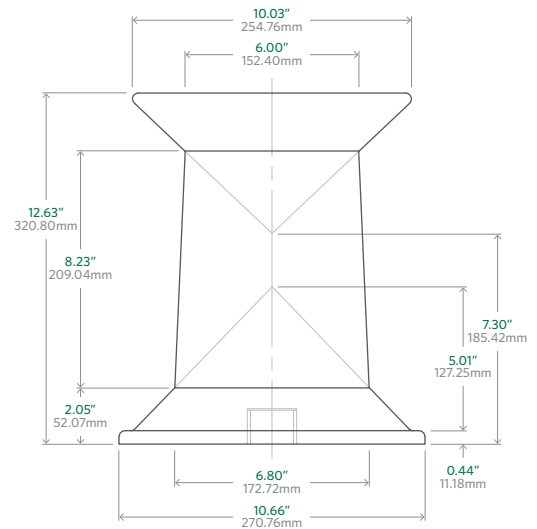


TF™ 80 REEL



For heavy, intermediate sizes of round copper or aluminum magnet wire.

Package Code:	81
Typical Wire Weight:	75 lbs. CU / 25 lbs. AL
Cartons per Pallet:	12
Pallet Dimensions:	26" x 42" x 32"
Arbor Hole Size:	1.53"

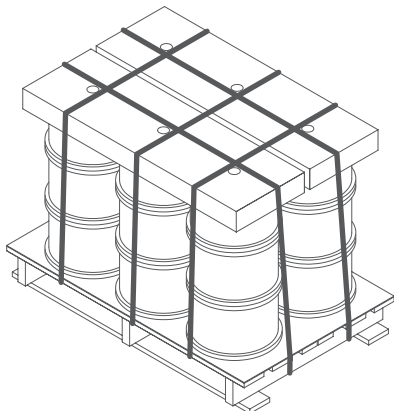
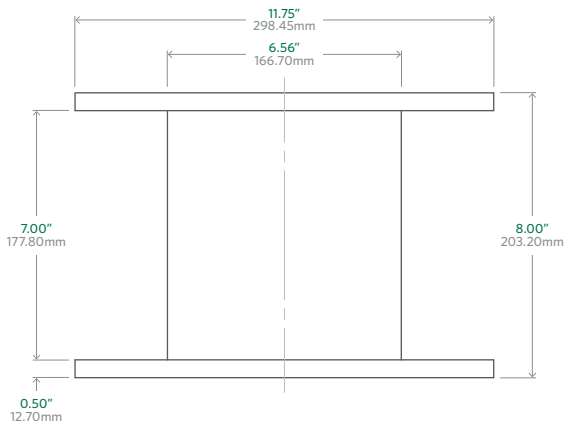


12" x 7" REEL



For intermediate sizes of round copper or aluminum magnet wire.

Package Code:	12
Typical Wire Weight:	75 lbs CU / 23 lbs. AL
Cartons per Pallet:	18
Pallet Dimensions:	26.5" x 42" x 32"
Arbor Hole Size:	1.53"

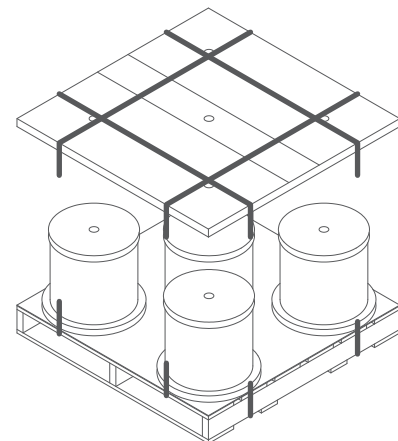
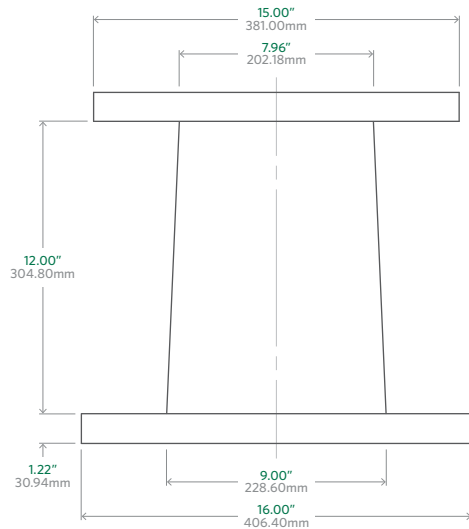


25RP REEL



For heavy, intermediate sizes of round copper or aluminum magnet wire.

Package Code:	25
Typical Wire Weight:	260 lbs. CU / 80 lbs. AL
Cartons per Pallet:	5
Pallet Dimensions:	42" x 42" x 20"
Arbor Hole Size:	1.53"

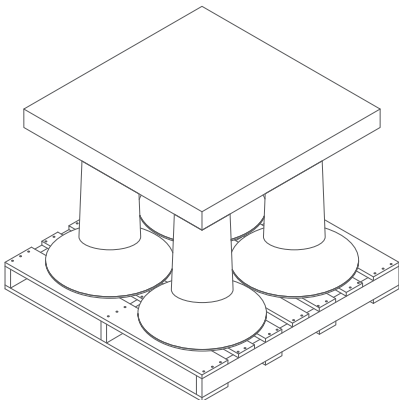
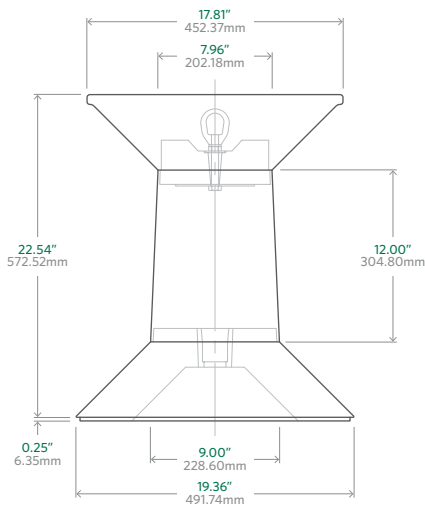


TF™ 600 REEL



For heavy, intermediate sizes of round copper or aluminum magnet wire.

Package Code:	60
Typical Wire Weight:	600 lbs. CU / 180 lbs. AL
Cartons per Pallet:	4
Pallet Dimensions:	42" x 42" x 30"
Arbor Hole Size:	1.53"

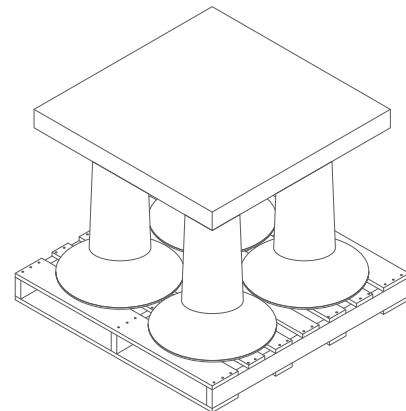
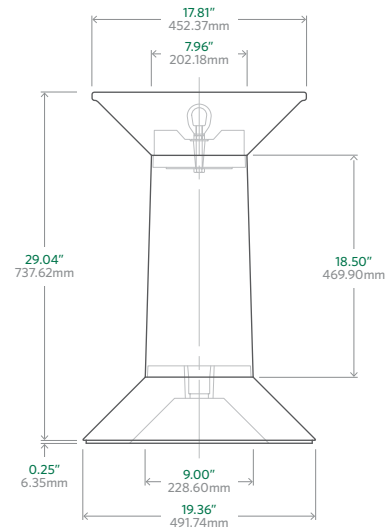


TF™ 1000 REEL



For heavy, intermediate sizes of round copper or aluminum magnet wire.

Package Code:	52
Typical Wire Weight:	900 lbs. CU / 280 lbs. AL
Cartons per Pallet:	4
Pallet Dimensions:	42" x 42" x 35.5"
Arbor Hole Size:	1.53"

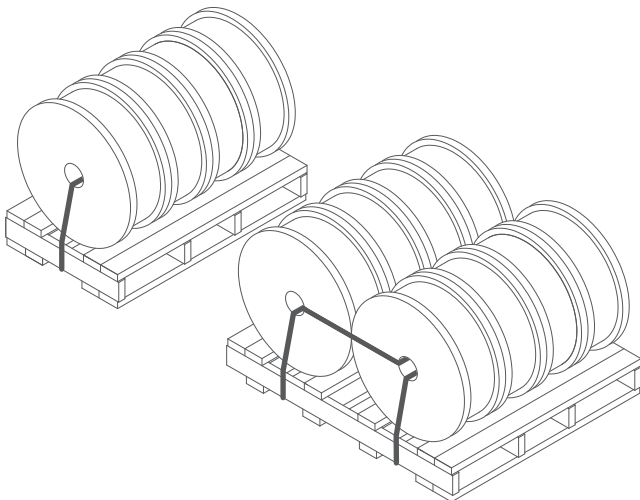
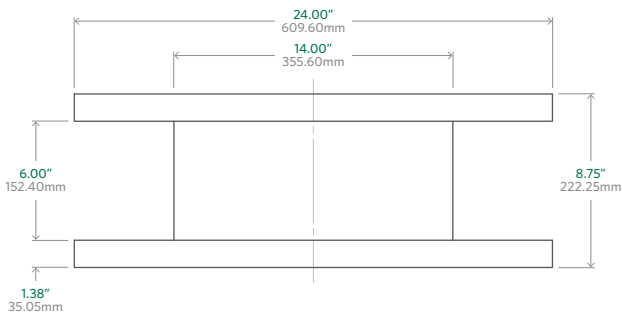


24" x 6" REEL



For heavy sizes of round and shaped copper or aluminum magnet wire.

Package Code:	24
Typical Wire Weight:	260 lbs. CU / 85 lbs. AL
Cartons per Pallet:	4 or 8
Pallet Dimensions:	4 Reels - 25" x 39" x 30" 8 Reels - 50" x 39" x 30"
Arbor Hole Size:	1.53"

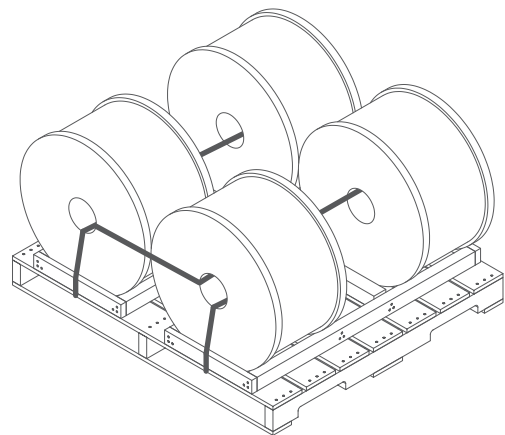
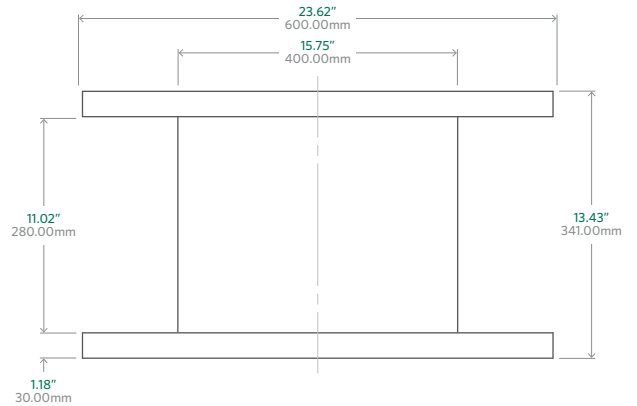


24" x 11" REEL



For heavy, intermediate sizes of round and shaped copper or aluminum magnet wire.

Package Code:	23
Typical Wire Weight:	450 lbs. CU / 150 lbs. AL
Cartons per Pallet:	4
Pallet Dimensions:	43.5" x 49.25" x 30"
Arbor Hole Size:	5.20"

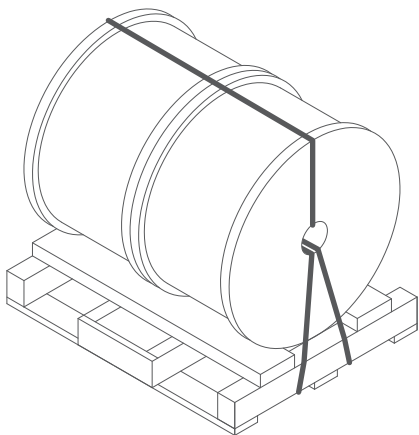
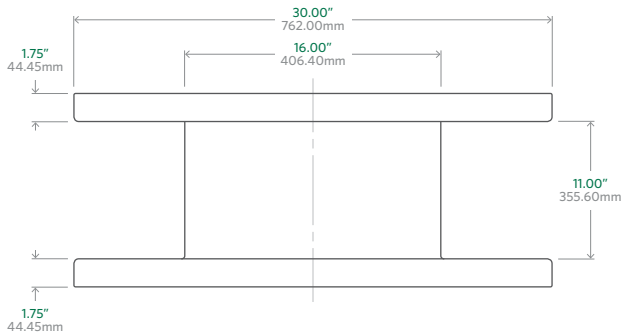


30" x 11" REEL



For heavy sizes of round and shaped copper or aluminum magnet wire.

Package Code:	30
Typical Wire Weight:	1100 lbs. CU / 350 lbs. AL
Cartons per Pallet:	2
Pallet Dimensions:	39" x 24" x 36"
Arbor Hole Size:	5.00"

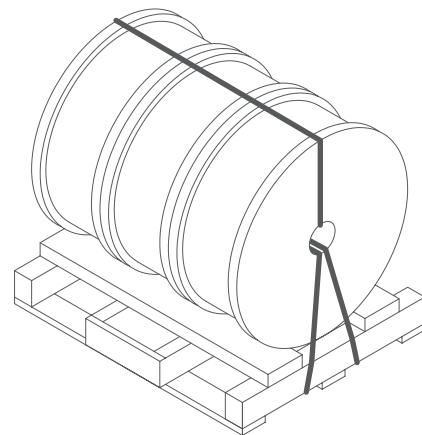
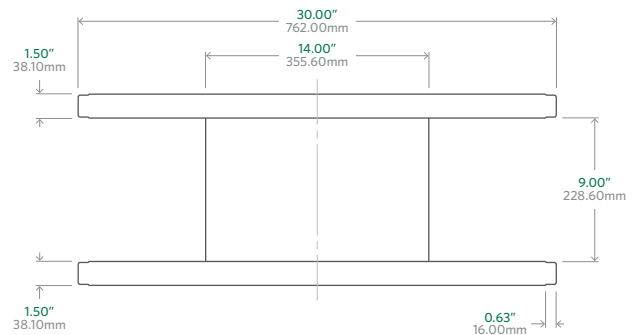


30" x 9" REEL (WOOD/METAL)



For heavy sizes of round and shaped copper or aluminum magnet wire.

Package Code:	73
Typical Wire Weight:	1200 lbs. CU / 280 lbs. AL
Cartons per Pallet:	3
Pallet Dimensions:	32" x 40" x 35"
Arbor Hole Size:	2.27"



Flexible Packaging Solutions

Sustainability & Recycling

As a sustainability minded business, the packaging used to deliver our products is made from up to 30% recycled materials. We also strive to fine-tune the resource cycle through the removal of empty pallets, reels and spools. These packages and their pallets remain the property of Essex Furukawa Magnet Wire and are fully recyclable via the Essex Furukawa Reel Return Program.

Returnable Reels

- 1. All reels, spools, and returnable pallets (“Packaging Material”) are the property of Seller** and are to be returned to Seller or its designated agent at the location from which they came, unless otherwise specified.
- Buyers are requested to contact Seller’s designated packaging return agents for specific instructions prior to return of the Packaging Material.
- Packaging Material will be picked-up within 8 working days of contact with the designated packaging return agent. If you have any issues regarding service, please contact your designated Essex Furukawa customer service representative.
- The preferred method for storing Packaging Material must be indoors in a cool, dry, place, and care should be observed in handling and shipping.
- If Packaging Material cannot be stored indoors, then it must be stored in an enclosed, protected container.
- In the event these instructions are not followed for the return of Seller’s reels, Seller reserves the right to charge for any excess costs incurred as a result thereof.
- Seller reserves the right to charge for Packaging Material not returned within 6 months or which are damaged as the result of improper handling or storage.**

Designated Agent Reel Return Program

For All US and Canadian Customers and for Mexico Border Customers

MURPAC SERVICES is the Designated Reel Return Agent. Customers have two options for requesting a pick-up from Murpac Services.

Option 1: Submit an Online Request. This is the preferred method. Customer completes a “Murpac Pickup Request Form” at www.murpac.com. A pick-up confirmation will be sent to you via email.

Option 2: Request pick-up via phone. To arrange a pick-up by phone or to contact a specific Murpac location, call the appropriate number below:

- US Customers, call (800) 225-4084
- Canadian Customers, call (800) 604-1116
- Mexican Border Zone & Southwest Customers, call (866) 997-0862

If Options 1 and 2 are not available to you, please contact your designated Essex Furukawa Magnet Wire customer service representative.

For All Mexico Customers Other Than the U.S. – Mexico Border Zone Area

CARRIS DE MEXICO is the Designated Reel Return Agent. Select the appropriate phone number from the list below and request the pick-up.

- Calling from Monterrey: 8316-7390 Ext. 206
- Calling from Mexico: 01-81-8316-7390 Ext. 206
- Calling from US: 011-52-81-8316-7390 Ext. 206

Custom Packaging Innovations

Essex Furukawa strives to accommodate as many different packaging options as needed in order to provide seamless integration between new wire and the assembly floor. By collaborating with our individual partners, we create custom packaging drum and adapter configurations designed to easily feed wire into your machinery, insuring maximum productivity at all times.

Special and customized packaging will incur a minimum charge of \$35.00 per 100 pounds. Prior Seller approval is required.

Reel Return information is subject to change without notice. For the latest information on returnable packaging, contact your designated Essex Furukawa Magnet Wire customer service representative.





essexfurukawa.com

07-2020
©2020 Essex Furukawa Magnet Wire LLC,
A Superior Essex Company. All Rights Reserved.